
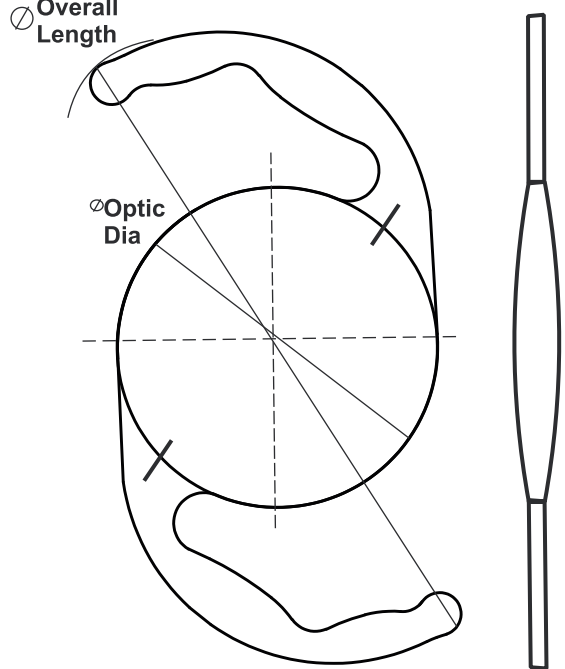
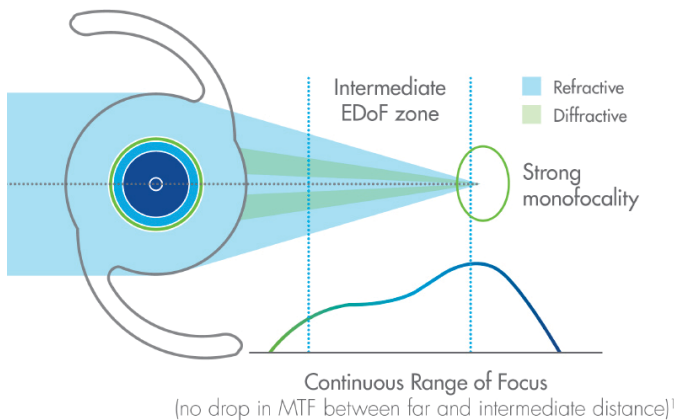


EDOF TORIC PRELOADED IOL

Extended Range Astigmatic correction

Hydrophobic 360° Enhanced
Square Edge with Aspheric optics
EXCELLENT ASTIGMATISM CORRECTION
Enhanced Depth of Focus

| | | | | | | | | |
|------------------------|--|--------------|------------------|--------------|--------------|--------------|--------------|--|
| Model | MFH 617 | | | | | | | Specification:   Refractive Enhanced Depth of Focus |
| Optic Diameter | 6.00 mm | | | | | | | |
| Overall Length | 12.50mm & 13.00mm | | | | | | | |
| Optic Design | Aberration Neutral, Negative Aspheric Biconvex | | | | | | | |
| Haptic Design | Step Vaulted ``C``Design, 0°Angulation | | | | | | | |
| PCO Protection | 360° Perfect Square edge around the optic edge | | | | | | | |
| Delivery system | Preloaded / Non preloaded (2.40mm nozzle for sub 2.6 mm incision) | | | | | | | |
| Power Range | 0.0 D to +30.0 D (increments 0.50 D) cylinder Power 1.5 D to 6.5D in 0.75 Increme | | | | | | | |
| IOL Plane | Purely Refractive with +3.00 D and +3.25 D Additional Power | | | | | | | |
| Material | Hydrophobic, Refractive index : 1.4933+0.002 | | | | | | | |
| A.Constant | | Ultrasound | Optical Biometry | | | | | |
| | SRK/T | 118.4 | 118.7 | | | | | |
| | SRK/II | 118.6 | 118.9 | | | | | |
| MFH 617 | T1.50 | T2.25 | T3.00 | T3.75 | T4.50 | T5.25 | T6.00 | |



- ✓ Lens offers excellent distance as well as intermediate vision
- ✓ EDOF is a new technology that has recently emerged in the treatment of **Presbyopia -Correcting IOLs**
- ✓ Designed to enable safe and ease of implantation in the eye
- ✓ EDOF Lenses work by creating a single elongated focal point to enhance "Depth Of Focus".

